

Motion control on the move.



Setting a new standard for:

- Pneumatic
- Hydraulic
- Electric

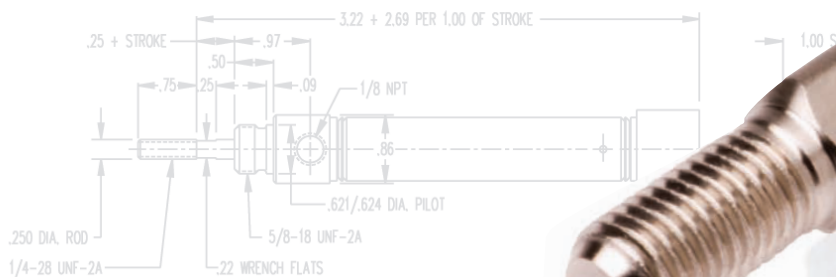
Why the best use Bimba.



Doing whatever it takes to help you get the job done is what the Bimba companies do best. With an extensive line of industry-leading air cylinders, rotary actuators, linear thrusters, rodless cylinders, NFPA, hydraulics, flow controls, position-sensing cylinders, valves,



switches and air preparation equipment, the people of Bimba, TRD and Mead are ready to tackle your toughest applications.





*Bimba Original Line
Air Cylinder*



*Bimba Dual Bore
Pinch Valve*

No one has more know-how. That's why Bimba:

- consistently ranks #1 in product performance and trouble-free operation¹
- designs and optimizes in a 3-D environment with 20 years of FEA (Finite Element Analysis) experience
- manufactures to the strictest standards with ISO 9001 certification
- tests for heat, fatigue and life span to ensure the best in quality and durability
- relies on professionals to make it all possible — from design to project management and beyond

Solutions for every situation.



Keeping your customers on the cutting edge is all about innovation. Since introducing the Original Line more than 50 years ago, Bimba has expanded its breadth and depth far beyond these standard cylinders to include tens of thousands of off-the-shelf and custom solutions. Today, we are dedicated to moving motion control forward — one application at a time.



Custom motion control from the Solutions Shop™

While other companies walk away when off-the-shelf products don't measure up, Bimba does whatever it takes to develop a solution. That's why bimba.com/solutionsshop was designed to inspire your applications and to showcase actual working examples from our customers' toughest engineering challenges.



Specials are our specialty.



*Bimba Air Powered
Impact Hand Tool*

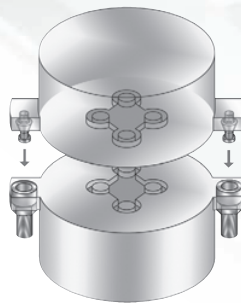
Air Operated Fluid Valve

To create a longer lasting solution, Bimba engineered a stainless steel, non-corrosive, air operated valve designed to deliver better sealing in a more compact package.



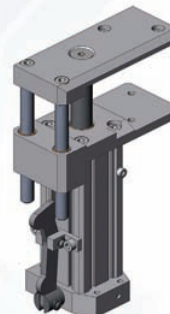
Mold Lock Actuator

By locking onto a mating lug, this unique actuator is designed to securely hold two halves of a mold together for tighter tolerance and reduced flash.



Gripper with Integrated Valve

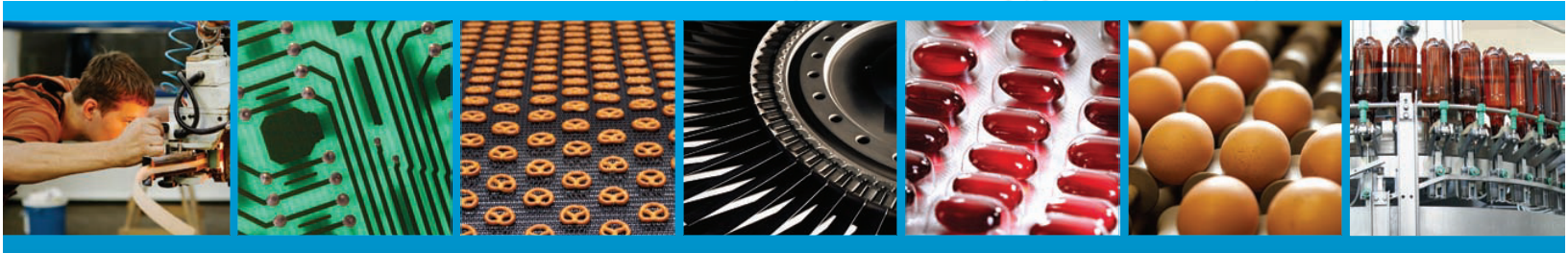
Bimba increased workflow efficiency in an application for commercial printers by incorporating a special tooling plate with “end effector” pads, a mechanical switch and an internal porting and valve system.



Go to bimba.com/solutionsshop for more custom solutions.

Engineering expertise is everything.

Whether it's a standard off-the-shelf cylinder or a cutting-edge custom assembly, Bimba is uniquely positioned to help you take control of any motion control application. That means everything from simple, non-repairable products to the latest in precision mechatronics. If you've got an engineering challenge, Bimba has the solution. And, we've been doing it since 1957.



The Original Line

These industry-leading cylinders come in more bore sizes, mounting styles and options than any other brand. Whether it's a standard unit or a custom assembly, you can trust Bimba to deliver cylinders that are easy-to-use, reliable and ready for action.



Electrical Actuators and Controls

Original Line Electric (OLE) actuators provide the longest life, highest speed, and greatest thrust per dollar. OLE's are available as a complete motion control solution or as an actuator-only, ready to accept the user's motor. OLE models come in strokes to 18 inches, thrusts to 350 pounds, and speeds to 24 inches per second.



Tie Rod/NFPA Medium & Heavy-Duty

Heavy-duty applications require heavy-duty solutions. That's why every product from TRD Manufacturing is precision-machined, including the industry-leading line of NFPA Tie Rod cylinders. Through the use of high alloy aluminum, these cylinders stay protected against harsh environments, ensuring maximum performance and long shelf life.



*Bimba Air Preparation
Equipment: Filter,
Regulator and Lubricator*



Valves

From solenoid air valves to button valves, Mead Fluid Dynamics has the technology to handle the most demanding pneumatic control applications. An innovative approach to design allows these corrosion-resistant valves to perform even in tough wash-down environments, while still yielding smooth speed and control.



Low Profile Actuators

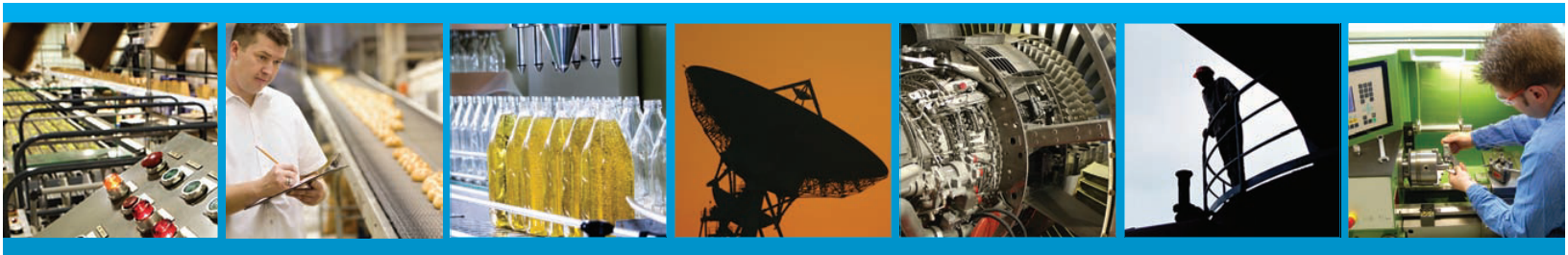
If your application is tight on space, let Bimba's line of Low Profile Actuators make some room. Between the popular Flat-1 cylinder and the Mead MF series, Bimba offers the widest variety of space-saving actuators on the market.



Air Preparation Equipment

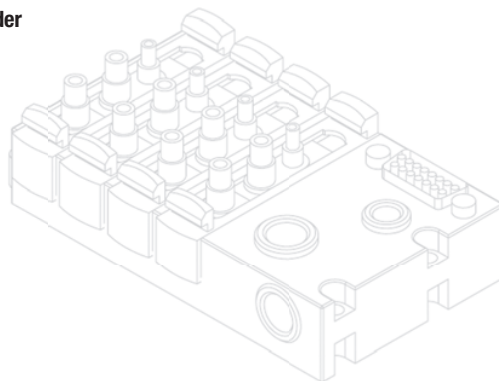
Dirty, under-lubricated shop air with inconsistent pressure can lead to inefficiency, corrosion and eventual failure of pneumatic components. That's why Bimba offers a full line of Air Preparation Filters, Regulators and Lubricators (FRLs), including custom assemblies and optional accessories.

Delivering on every promise.



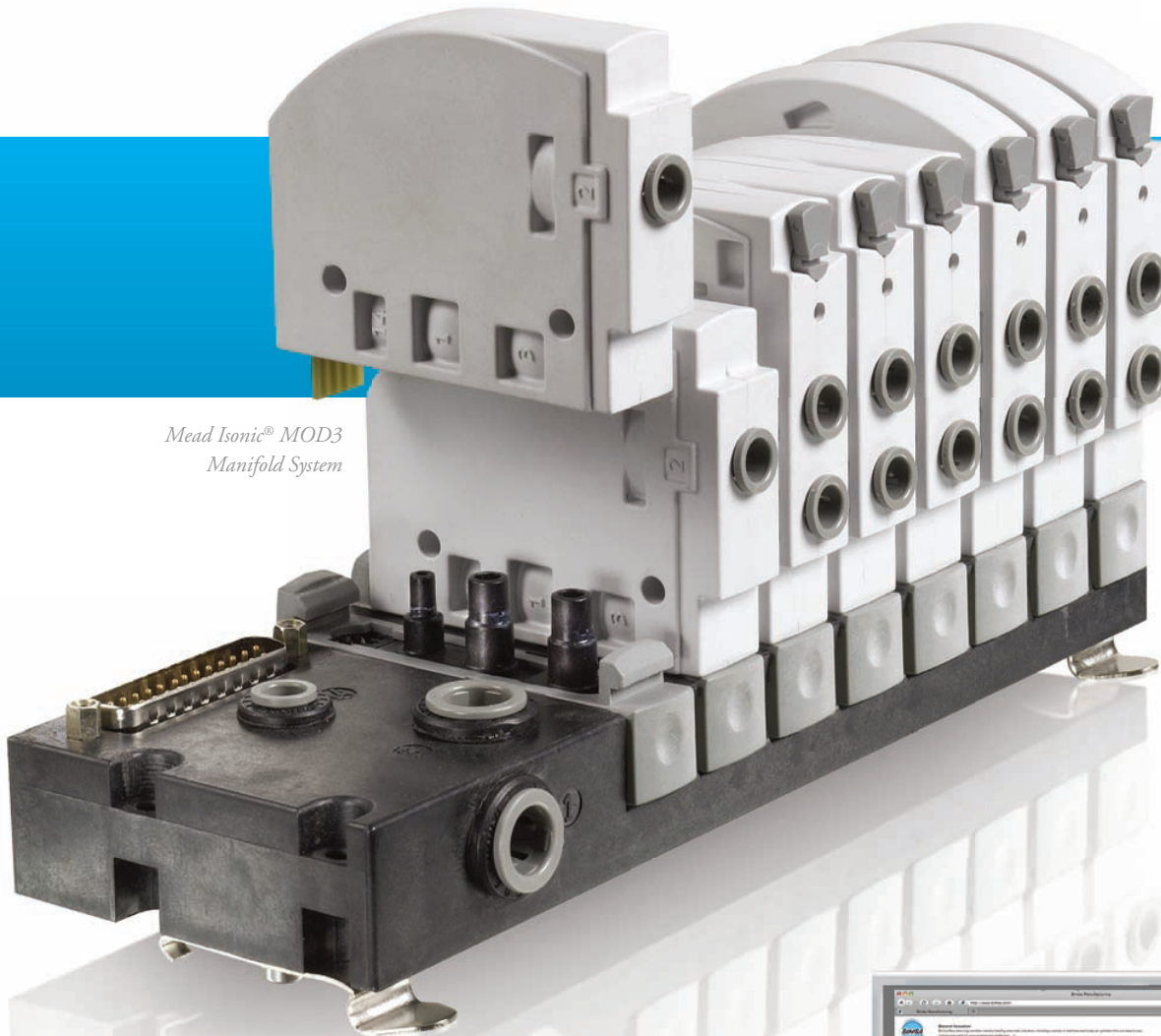
When you work with Bimba, customer commitment comes standard. From consistently exceeding performance expectations to delivering more solutions, in more sizes, for more applications, Bimba promises to provide more than just products.

- Streamlined business processes utilizing the *Oracle® E-Business Suite*, including product configuration, engineering design, sales order management, manufacturing quality management and distribution
- Fast, on-time delivery from multiple manufacturing facilities with an international network of stocking distributors
- Real-time ship dates you can count on, even if the product is not currently on the shelf
- State-of-the-art, Oracle®-based stocking software enables you to save time and money by managing your supply chain more efficiently
- Up-to-date pricing, delivery and order tracking info is available 24/7 at www.bimba.com
- Highly-trained representatives are standing by at **800-44-BIMBA** with the engineering know-how you'd expect from the industry leader





*Mead Isonic® MOD3
Manifold System*



www.bimba.com

Access easy-to-use interactive tools online to find exactly what you need for any application.

- Downloadable CAD drawings
- Sizing and selection software
- Webinars, brochures and videos
- Part Number Configurator

Real-time pricing and product availability in three easy steps:

1. Select *Price & Delivery* from the homepage
2. Enter the desired part number and quantity
3. Click *Request Part*

Companies you can count on.

TRD Tie Rod
Cylinder

The driving force behind all Bimba Companies is a commitment to customer satisfaction. And that means exceeding expectations every chance we get. From innovative design to on-time delivery, it's all about getting you the right solutions at the right time. If you ask us, it's just the right thing to do.

BIMBA

Bimba Manufacturing is a forward-thinking innovator of actuation technology, specializing in providing cutting-edge solutions to engineering challenges. Since introducing the round line, stainless steel body cylinder nearly five decades ago, Bimba has expanded its capabilities to include an extensive line of motion control products. And, in addition to off-the-shelf solutions, Bimba is dedicated to custom products, designed for specific customers with unique applications.

www.bimba.com

TRD

TRD Manufacturing brings more than 25 years of heavy-duty know-how to the Bimba team. With high-precision machining expertise, TRD is known for long-lasting NFPA pneumatic and low-pressure hydraulic tie-rod cylinders. Offering high-quality components and a wide variety of modifications, TRD maintains an industry-leading delivery schedule, with the ability to ship most products in two to three days.

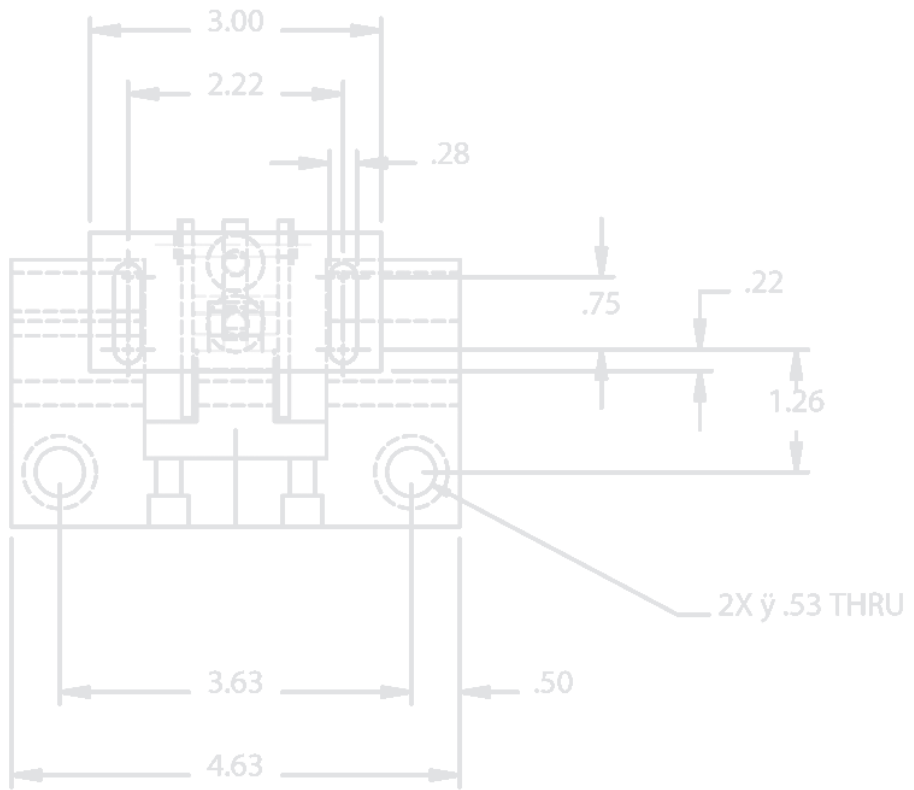
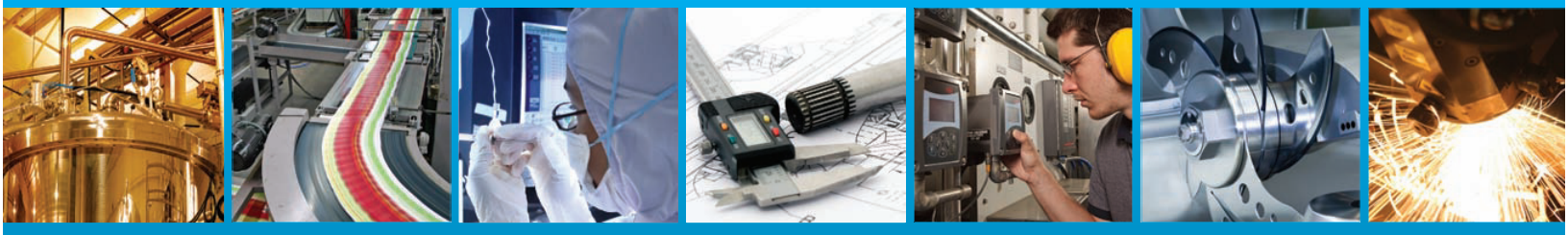
www.trdmanufacturing.com

MEAD

Mead Fluid Dynamics is a leader in the design and development of valves, cylinders and pneumatic components for the industrial automation and fluid power markets. Mead's dedication to innovation has led to many industry "firsts," including the first air clamp, air switch and totally non-lubricated cylinder. And, for a full line of low-cost, high-value products with the "fit and finish" engineers demand, look to MFD Pneumatics (a division of Mead).

www.mead-usa.com
www.mfdpneumatics.com







Bimba Manufacturing Company

P.O. Box 68

Monee, Illinois 60449-0068

Phone: 708-534-8544

Fax: 708-235-2014

Email: support@bimba.com

Toll Free: 800-44-BIMBA

www.bimba.com

