

Strainers**Page numbers**

1/4" to 1"	25 micron strainer units with manual drain	3500.2 - 3500.3
------------	---	-----------------

Filters**Page numbers**

1/4" to 1/2"	5 micron and 25 micron filter units with manual or automatic drain	3500.2 - 3500.3
3/4" to 1"	5 micron filter units with manual or automatic drain	3500.9, 3500.10

Pressure regulators**Page numbers**

1/4" to 1/2"	Pressure regulators Self relieving or non relieving Accessories	3500.4 - 3500.5 3500.5
3/4" to 1"	Pressure regulators Self relieving or non relieving Accessories	3500.9, 3500.11 35.00.10 - 3500.11

Filter regulators**Page numbers**

1/4" to 1/2"	Combined filter regulator units Self relieving or non relieving Manual or automatic drain Accessories	3500.6 - 3500.7 3500.5
3/4" to 1"	Combined filter regulator units Self relieving or non relieving Manual or automatic drain Accessories	3500.9, 3500.12 3500.10 - 3500.11

Lubricators**Page numbers**

1/2"	Automatic lubricator unit	3500.8
------	---------------------------	--------

General description and benefits

316 stainless steel for the offshore, food, pharmaceutical and allied industries.

Provides filtration of compressed air for use in these industries.

- Large flow paths minimise pressure drop.
- 316 Stainless steel throughout.
- Large element.

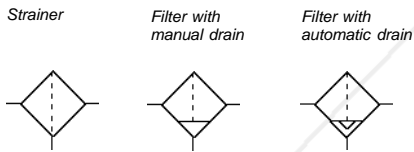
Strainers

25 micron element with manual drain for the removal of solids.

Filters

Large 25 micron standard element with manual or automatic drain for the removal of liquids and solids. 5 micron element option available.

Functional symbols



Preferred models

Model No	Description	Mass kg (lbs)
Strainers		
2STRSN102	1/4"NPT Strainer with manual drain	1.50 (3.31)
3STRSN102	3/8"NPT Strainer with manual drain	1.50 (3.31)
4STRSN102	1/2"NPT Strainer with manual drain	2.65 (5.84)
6STRSN102	3/4"NPT Strainer with manual drain	5.75 (12.68)
8STRSN102	1"NPT Strainer with manual drain	8.00 (17.64)
Filters		
2FLMSV202**	1/4"NPT Filter with manual drain	0.75 (1.65)
2FLASV172**	1/4"NPT Filter with automatic drain	1.40 (3.09)
3FLMSV202**	3/8"NPT Filter with manual drain	1.25 (2.76)
3FLASV172**	3/8"NPT Filter with automatic drain	1.50 (3.31)
4FLMSV202**	1/2"NPT Filter with manual drain	1.25 (2.76)
4FLASV172**	1/2"NPT Filter with automatic drain	1.50 (3.31)

** - for 5 micron element add 05 to model number



Technical data

Ports NPT (BSP option available)

Strainers
1/4", 3/8", 1/2", 3/4", 1"
Filters
1/4", 3/8", 1/2"

Gauge Ports

1/8"NPT (BSP option available)

Automatic Drain Port

1/8"NPT (BSP option available)

Working pressure

Strainers
10 bar (145 psi)
Filters - manual drain
20 bar (290 psi)
Filters - automatic drain
17 bar (247 psi)

Working temperature

Ambient temperature
-20°C to +80°C (-4°F to +176°F)

Bowl retention capacity

1/4" - 40cc (2.44cu ins)
1/2" - 20cc (1.22cu ins)

Materials of construction

Body

Stainless steel AISI 316 S11 to NACE MR-0175

Bonnet and bowl

316 Stainless steel

Element and internals

316 Stainless steel

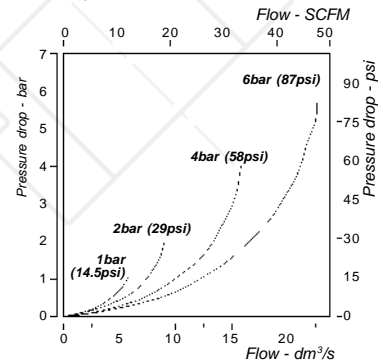
Seals

Strainers
Nitrile
Filters
Fluoroelastomer

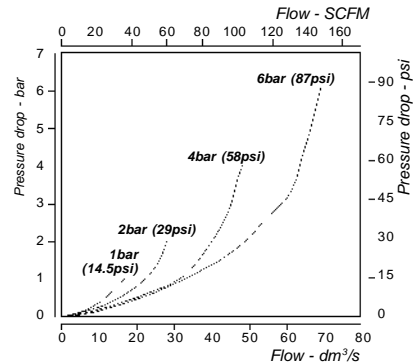
Flow characteristics

Pressure drop v Flow

1/4" NPT Filter



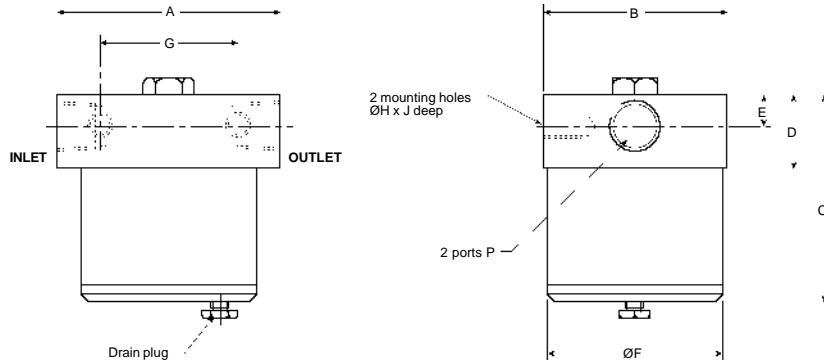
3/8" and 1/2" NPT Filter



Installation dimensions mm (inches)

Strainers

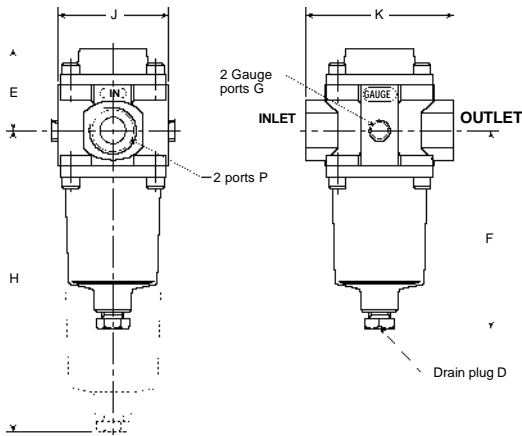
2STRSN102
3STRSN102
4STRSN102
6STRSN102
8STRSN102



Model No	Ports P	A	B	C	D	E	F	G	H	J
2STRSN102	1/4" NPT	73 (2.87)	57 (2.24)	88 (3.46)	25.4 (1.00)	11 (0.43)	51 (2.01)	50 (1.97)	M6	12 (0.47)
3STRSN102	3/8" NPT	73 (2.87)	57 (2.24)	88 (3.46)	25.4 (1.00)	11 (0.43)	51 (2.01)	50 (1.97)	M6	12 (0.47)
4STRSN102	1/2" NPT	98 (3.78)	78 (2.99)	89 (3.50)	32 (1.26)	14 (0.55)	76 (2.99)	60 (2.36)	M8	16 (0.63)
6STRSN102	3/4" NPT	127 (5.00)	108 (4.25)	104 (4.09)	37.6 (1.48)	17 (0.67)	101 (3.98)	80 (3.15)	M10	20 (0.79)
8STRSN102	1" NPT	127 (5.00)	108 (4.25)	177 (6.97)	50 (1.97)	25 (0.98)	101 (3.98)	80 (3.15)	M12	24 (0.94)

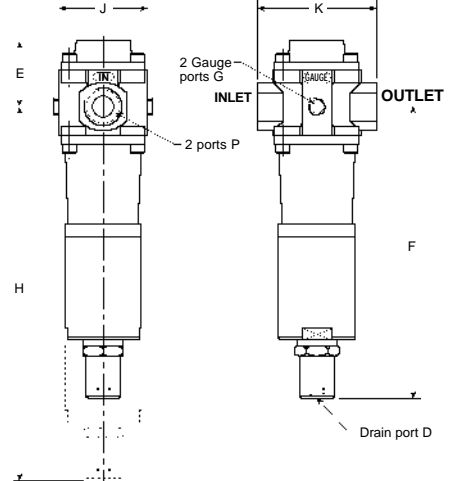
Filters with manual drain

2FLMSV202**
3FLMSV202**
4FLMSV202**



Filters with automatic drain

2FLASV172**
3FLASV172**
4FLASV172**



Filter mounting bracket - order part number SSAF238/27

Model No	Ports P	Port D	Plug D	Port G	E	F	H	J	K
With manual drain									
2FLMSV202**	1/4" NPT	-	M5	1/8" NPT	33 (1.30)	86.8 (3.42)	135 (5.31)	52 (2.05)	52 (2.05)
3FLMSV202**	3/8" NPT	-	M5	1/8" NPT	38 (1.50)	92.8 (3.65)	142 (5.59)	52 (2.05)	70 (2.20)
4FLMSV202**	1/2" NPT	-	M5	1/8" NPT	38 (1.50)	92.8 (3.65)	142 (5.59)	52 (2.05)	70 (2.20)
With automatic drain									
2FLASV172**	1/4" NPT	1/8" NPT	-	1/8" NPT	33 (1.30)	166 (6.54)	215 (8.46)	52 (2.05)	52 (2.05)
3FLASV172**	3/8" NPT	1/8" NPT	-	1/8" NPT	38 (1.50)	172 (6.77)	221 (8.70)	52 (2.05)	70 (2.20)
4FLASV172**	1/2" NPT	1/8" NPT	-	1/8" NPT	38 (1.50)	172 (6.77)	221 (8.70)	52 (2.05)	70 (2.20)

Dimension H = clearance required below pipe centreline to enable bowl to be removed.

General description and benefits

316 stainless steel for the offshore, food, pharmaceutical and allied industries. Provides pressure regulation of compressed air for use in these industries.

- 316 Stainless steel throughout.
- Large flow.
- High relief flow.
- Integral mounting holes.
- Secure labelling.
- Tagging facility built in.
- Full range of accessories.



Technical data

Ports NPT (BSP option available)
1/4", 3/8", 1/2"

Gauge ports
1/8"NPT (BSP option available)

Relief / vent port
1/8"NPT (BSP option available)

Maximum inlet pressure
20 bar (290 psi)

Regulated pressure
0.05 to 2 bar (0.7 to 29 psi)
0.05 to 4 bar (0.7 to 58 psi)
0.25 to 7 bar (3.6 to 102 psi)
0.25 to 10 bar (3.6 to 145 psi)
0.50 to 16 bar (7.2 to 232 psi)

Maximum bleed flow
at 2 bar (29 psi) secondary pressure
0.5cc/sec (0.03cu in/sec)

Working temperature
Ambient temperature
-20°C to +80°C (-4°F to +176°F)

Materials of construction

Body
Stainless steel AISI 316 S11 to NACE MR-0175

Bonnet
316 Stainless steel

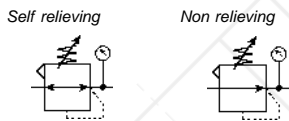
Diaphragm and valve assembly
Fluoroelastomer and 316 Stainless steel

Valve spring
Inconel X750

Adjustment spring
316 Stainless steel

Seals
Fluoroelastomer

Functional symbols



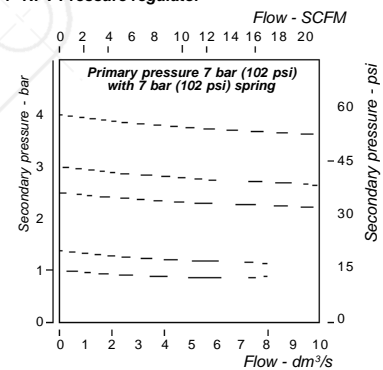
Preferred models

Model No	Description	Mass kg (lbs)
Self relieving		
2PRVSV**2	1/4"NPT Pressure regulator	0.80 (1.76)
3PRVSV**2	3/8"NPT Pressure regulator	1.20 (2.64)
4PRVSV**2	1/2"NPT Pressure regulator	1.20 (2.64)
Non relieving		
2PRNSV**2	1/4"NPT Pressure regulator	0.80 (1.76)
3PRNSV**2	3/8"NPT Pressure regulator	1.20 (2.64)
4PRNSV**2	1/2"NPT Pressure regulator	1.20 (2.64)

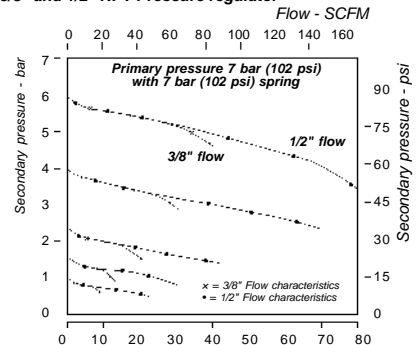
** - for regulated pressure add code:-
 0.05 to 2 bar (0.7 to 29 psi) - code 02
 0.05 to 4 bar (0.7 to 58 psi) - code 04
 0.25 to 7 bar (3.6 to 102 psi) - code 07
 0.25 to 10 bar (3.6 to 145 psi) - code 10
 0.50 to 16 bar (7.2 to 232 psi) - code 16

Flow characteristics

1/4" NPT Pressure regulator



3/8" and 1/2" NPT Pressure regulator



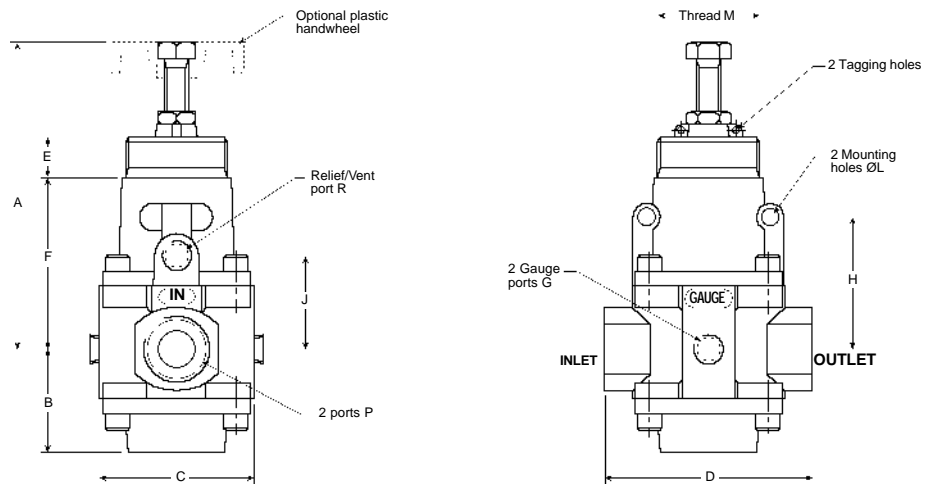
PRESSURE REGULATORS - SELF RELIEVING PRESSURE REGULATORS - NON RELIEVING

316
STAINLESS STEEL

Installation dimensions mm (inches)

Pressure regulators - self relieving and non relieving

2PRVSV**2 2PRNSV**2
3PRVSV**2 3PRNSV**2
4PRVSV**2 4PRNSV**2



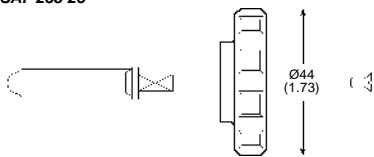
Model No	Ports P	Port G	Port R	A	B	C	D	E	F	H	J	K	L	M
2PRVSV**2	1/4" NPT	1/8" NPT	1/8" NPT	99	28	52	52	13	52	39	26	41	6.35	M34 x 1.5
	1/4" NPT	1/8" NPT	1/8" NPT	(3.90)	(1.10)	(2.05)	(2.05)	(0.51)	(2.05)	(1.54)	(1.02)	(1.61)	(2.50)	M34 x 1.5
3PRVSV**2	3/8" NPT	1/8" NPT	1/8" NPT	103	34	52	70	13	57	44	31	41	6.35	M34 x 1.5
	3/8" NPT	1/8" NPT	1/8" NPT	(4.06)	(1.34)	(2.05)	(2.76)	(0.51)	(2.24)	(1.73)	(1.22)	(1.61)	(2.50)	M34 x 1.5
4PRVSV**2	1/2" NPT	1/8" NPT	1/8" NPT	103	34	52	70	13	57	44	31	41	6.35	M34 x 1.5
	1/2" NPT	1/8" NPT	1/8" NPT	(4.06)	(1.34)	(2.05)	(2.76)	(0.51)	(2.24)	(1.73)	(1.22)	(1.61)	(2.50)	M34 x 1.5

Dimensions for non relieving models are same as self relieving models above.

ACCESSORIES

Plastic handwheel kit

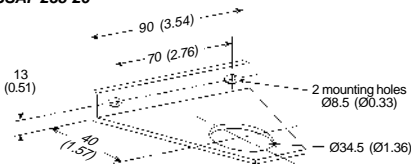
Plastic handwheel kit
SSAF 238-23



Kit comprises:
1 - Handwheel, 1 - Pressure adjustment screw
1 - Handwheel retaining screw

Mounting bracket

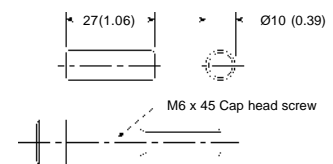
Mounting bracket kit
SSAF 238-26



Kit comprises: 1 - Bracket, 1 - Panel nut

Pillar mounting kit

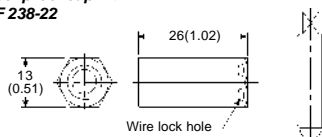
Pillar mounting kit
SSAF 238-21



Kit comprises: 2 - Pillars, 2 - Screws

Tamper proof cap kit

Tamper proof cap kit
SSAF 238-22



Kit comprises
1 - Pressure adjustment screw, 1 - Tamper proof cap

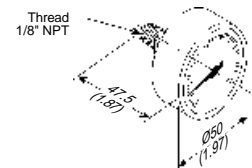
Panel mounting kit

Panel mounting kit
SSAF238-20



Pressure Gauge

50mm Pressure gauge
SSAF153N/10



General description and benefits

316 stainless steel for the offshore, food, pharmaceutical and allied industries.

A combination unit for filtration and pressure regulation of compressed air for use in these industries.

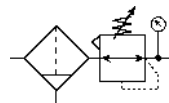
- 316 Stainless steel throughout.
- Large flow paths minimise pressure drop.
- Integral mounting holes.
- Tagging facility built in.

Filter unit

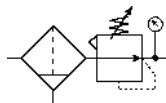
Large 25 micron standard element with manual or automatic drain for the removal of liquids and solids. 5 micron element option available.

Functional symbols

Self relieving



Non relieving



Technical data

Ports NPT (BSP option available)
1/4", 3/8", 1/2"

Gauge ports

1/8"NPT (BSP option available)

Relief / vent port

1/8"NPT (BSP option available)

Maximum inlet pressure

Manual drain
20 bar (290 psi)
Automatic drain
17 bar (247 psi)

Regulated pressure

0.05 to 2 bar (0.7 to 29 psi)
0.05 to 4 bar (0.7 to 58 psi)
0.25 to 7 bar (3.6 to 102 psi)
0.25 to 10 bar (3.6 to 145 psi)
0.50 to 16 bar (7.2 to 232 psi)

Maximum bleed flow

at 2 bar (29 psi) secondary pressure
0.5cc/sec (0.03cu in/sec)

Working temperature

Ambient temperature
-20°C to +80°C (-4°F to +176°F)
Low temperature version
-50°C (-58°F)
Contact Customer Services for details

Bowl retention capacity

1/4" - 40cc (2.44cu ins)
1/2" - 20cc (1.22cu ins)



Materials of construction

Body

Stainless steel AISI 316 S11
to NACE MR-0175

Bonnet and bowl

316 Stainless steel

Element and internals

316 Stainless steel

Diaphragm and valve assembly

Fluoroelastomer and 316 Stainless steel

Valve spring

Inconel X750

Adjustment spring

316 Stainless steel

Seals

Fluoroelastomer

Preferred models

Model No	Description	Mass kg (lbs)
Self relieving		
2FRMSV**2	1/4"NPT Filter regulator, manual drain	1.05 (2.31)
2FRASV**2	1/4"NPT Filter regulator, automatic drain	1.40 (3.09)
3FRMSV**2	3/8"NPT Filter regulator, manual drain	1.30 (2.87)
3FRASV**2	3/8"NPT Filter regulator, automatic drain	1.60 (3.53)
4FRMSV**2	1/2"NPT Filter regulator, manual drain	1.30 (2.87)
4FRASV**2	1/2"NPT Filter regulator, automatic drain	1.60 (3.53)

Non relieving

Specify model code 'FRN' in place of 'FRM' for manual drain versions.
Specify model code 'FRB' in place of 'FRA' for automatic drain versions.

** - for regulated pressure add code:-
0.05 to 2 bar (0.7 to 29 psi) - code 02
0.05 to 4 bar (0.7 to 58 psi) - code 04
0.25 to 7 bar (3.6 to 102 psi) - code 07
0.25 to 10 bar (3.6 to 145 psi) - code 10
0.50 to 16 bar (7.2 to 232 psi) - code 16

Flow characteristics

For filter pressure drop characteristics
see graphs on page 3500.2

For pressure regulator characteristics
see graphs on page 3500.4

FILTER REGULATORS - SELF RELIEVING FILTER REGULATORS - NON RELIEVING

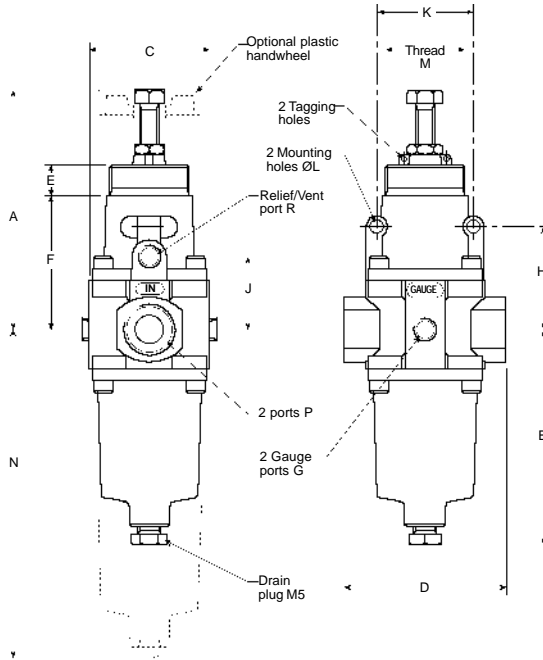
316

STAINLESS STEEL

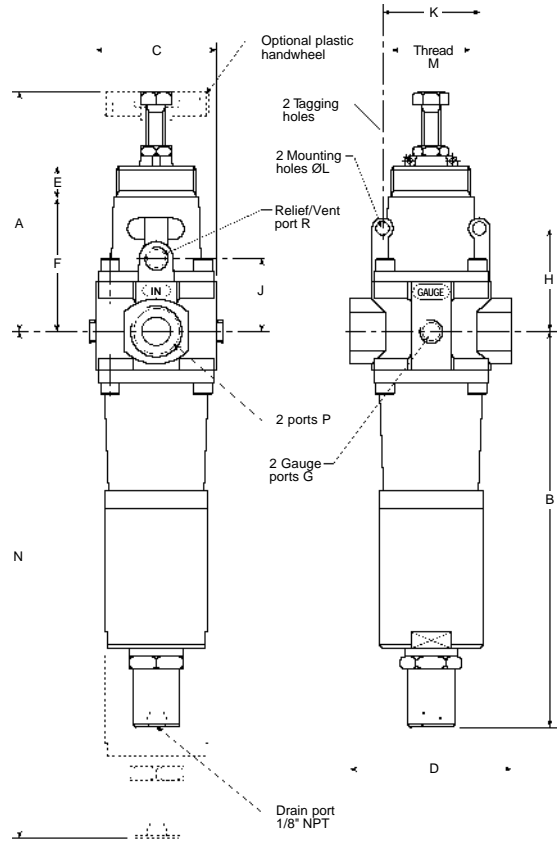
Installation dimensions mm (inches)

Filter regulators - self relieving and non relieving

2FRMSV**2
3FRMSV**2
4FRMSV**2



2FRASV**2
3FRASV**2
4FRASV**2



Model No	Ports P	Port G	Port R	A	B	C	D	E	F	H	J	K	L	M	N
Manual drain															
2FRMSV**2	1/4" NPT	1/8" NPT	1/8" NPT	99	86.8	52	52	13	52	39	26	41	6.35	M34 x 1.5	135
	1/4" NPT	1/8" NPT	1/8" NPT	(3.90)	(3.42)	(2.05)	(2.05)	(0.51)	(2.05)	(1.54)	(1.02)	(1.61)	(2.50)	M34 x 1.5	(5.31)
3FRMSV**2	3/8" NPT	1/8" NPT	1/8" NPT	104	92.8	52	70	13	57	44	31	41	6.35	M34 x 1.5	141
	3/8" NPT	1/8" NPT	1/8" NPT	(4.09)	(3.65)	(2.05)	(2.76)	(0.51)	(2.24)	(1.73)	(1.22)	(1.61)	(2.50)	M34 x 1.5	(5.55)
4FRMSV**2	1/2" NPT	1/8" NPT	1/8" NPT	104	92.8	52	70	13	57	44	31	41	6.35	M34 x 1.5	141
	1/2" NPT	1/8" NPT	1/8" NPT	(4.09)	(3.65)	(2.05)	(2.76)	(0.51)	(2.24)	(1.73)	(1.22)	(1.61)	(2.50)	M34 x 1.5	(5.55)
Automatic drain															
2FRASV**2	1/4" NPT	1/8" NPT	1/8" NPT	99	166	52	52	13	52	39	26	41	6.35	M34 x 1.5	215
	1/4" NPT	1/8" NPT	1/8" NPT	(3.90)	(6.54)	(2.05)	(2.05)	(0.51)	(2.05)	(1.54)	(1.02)	(1.61)	(2.50)	M34 x 1.5	(8.46)
3FRASV**2	3/8" NPT	1/8" NPT	1/8" NPT	104	172	52	70	13	57	44	31	41	6.35	M34 x 1.5	221
	3/8" NPT	1/8" NPT	1/8" NPT	(4.09)	(6.77)	(2.05)	(2.76)	(0.51)	(2.24)	(1.73)	(1.22)	(1.61)	(2.50)	M34 x 1.5	(8.70)
4FRASV**2	1/2" NPT	1/8" NPT	1/8" NPT	104	172	52	70	13	57	44	31	41	6.35	M34 x 1.5	221
	1/2" NPT	1/8" NPT	1/8" NPT	(4.09)	(6.77)	(2.05)	(2.76)	(0.51)	(2.24)	(1.73)	(1.22)	(1.61)	(2.50)	M34 x 1.5	(8.70)

Dimension N = clearance required below pipe centreline to enable bowl to be removed.
Dimensions for non relieving models are same as self relieving models above.

For optional handwheel, tamper proof cap, gauge and mounting accessories see details on page 3500.5

General description and benefits

316 stainless steel for the offshore, food, pharmaceutical and allied industries.

Provides lubrication of compressed air for use in these industries.

- Accurate drip rate adjustment.
- Can be filled under pressure.
- Transparent sight feed dome gives clear visibility of oil supply.
- Built in flow sensor automatically adjusts lubrication delivery to meet wide air flow demand.



Functional symbol



Technical data

Ports NPT (BSP option available)
1/2"

Working pressure
17 bar (247 psi)

Working temperature
Ambient temperature
-20°C to +80°C (-4°F to +176°F)

Capacity
380cc (23.2cu in)

Materials of construction

Body
Stainless steel AISI 316 S11 to NACE MR-0175

Bowl
316 Stainless steel

Flow and sight glass
Acryl

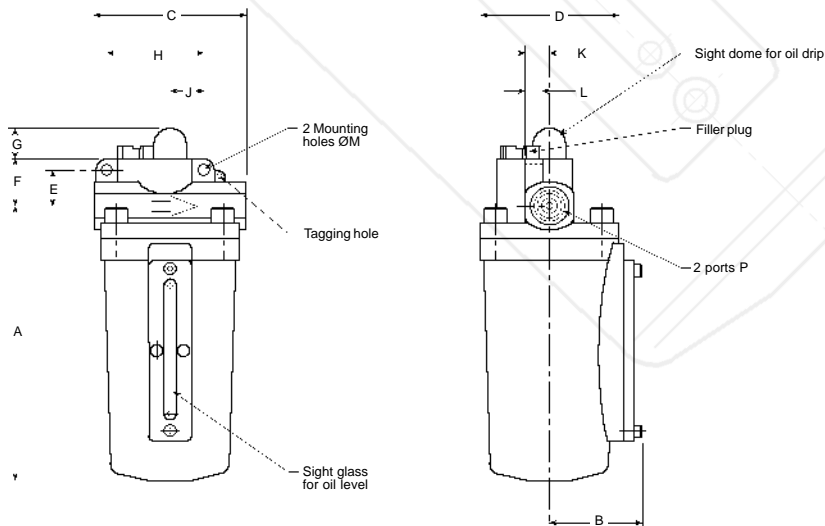
Seals
Nitrile and Fluoroelastomer

Preferred models

Model No	Description	Mass kg (lbs)
4LUBSN172	1/2"NPT Lubricator	1.80 (3.97)

Installation dimensions mm (inches)

4LUBSN172



Model No	Ports P	A	B	C	D	E	F	G	H	J	K	L	M
4LUBSN172	1/2" NPT	156	52	85	80	20	26	17.5	55	19	14	10	6.5
	1/2" NPT	(6.14)	(2.05)	(3.35)	(3.15)	(0.79)	(1.02)	(6.89)	(2.17)	(0.75)	(0.55)	(0.39)	(0.26)

General description and benefits

Full range of 316 stainless steel large flow air service equipment for the offshore, food, pharmaceutical and allied industries.

- 316 Stainless steel throughout.
- Large flow paths minimise pressure drop.
- Clean lines
- Integral mounting holes.

Functional symbols

Filters

Filter with manual drain



Filter with automatic drain



Regulators

Self relieving

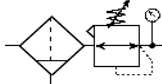


Non relieving

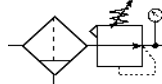


Filter / Regulators

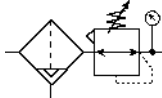
Self relieving with manual drain



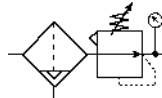
Non relieving with manual drain



Self relieving with automatic drain



Non relieving with automatic drain



Technical data

Ports NPT (BSP option available)
3/4", 1"

Gauge ports
1/8"NPT (BSP option available)

Relief / vent port
1/8"NPT (BSP option available)
complete with bug screen

Filtration
5 micron

Working pressure
Filters and Filter regulators
Manual drain
20 bar (290 psi)
Automatic drain
17 bar (247 psi)
Regulators
Maximum inlet pressure
20 bar (290 psi)

Working temperature
Ambient temperature
-20°C to +80°C (-4°F to +176°F)

Bowl retention
260cc (15.87cu ins)

Regulated pressure
0.1 to 2 bar (1.45 to 29 psi)
0.2 to 4 bar (2.90 to 58 psi)
0.3 to 7 bar (4.35 to 102 psi)
0.5 to 10 bar (7.25 to 145 psi)
0.8 to 16 bar (11.60 to 232 psi)

Maximum bleed flow
at 2 bar (29 psi) secondary pressure
0.5cc/sec (0.03cu in/sec)

Flow capacity
Filter
at 7 bar (102 psi) supply pressure, 0.35 bar (5 psi) pressure drop
167dm³/sec (353 SCFM)

Regulator
at 7 bar (102 psi) inlet pressure, 6 bar (87psi) secondary pressure
130dm³/sec (274 SCFM)

Filter / Regulator
at 7 bar (102 psi) inlet pressure, 6 bar (87psi) secondary pressure
130dm³/sec (274 SCFM)

Materials of construction

Body
Stainless steel AISI 316 S11
to NACE MR-0175

Bonnet and bowl
316 Stainless steel

Element
Sintered polypropylene

Diaphragm
Nitrile and 316 Stainless steel

Valve spring
Inconel X750

Adjustment spring
316 Stainless steel

Seals and valve assembly
Fluoroelastomer

Flow characteristics

For filter pressure drop characteristics see graphs on page 3500.10

For pressure regulator characteristics see graphs on page 3500.11

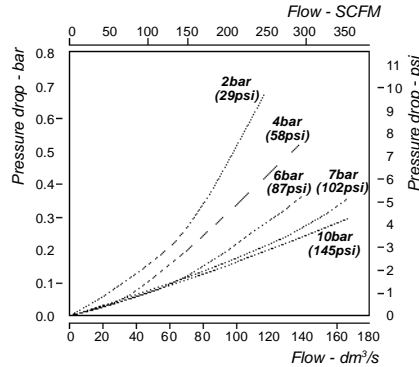
General description and benefits

316 stainless steel compressed air filters to provide clean dry air for the offshore, petro-chemical and allied industries.

- 5 micron element.
- Manual / auto drain.
- Large flow paths minimise pressure drop.

Flow characteristics

Pressure drop v Flow



Functional symbols, Technical data and Materials of construction

See details on page 3500.9

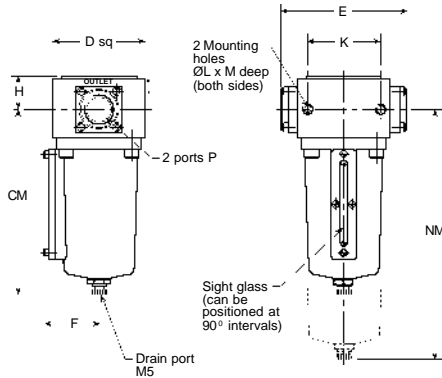
Preferred models

Model No	Description	Mass kg (lbs)
6FLMSV202	3/4"NPT Filter with manual drain	3.75 (8.27)
6FLASV172	3/4"NPT Filter with automatic drain	3.75 (8.27)
8FLMSV202	1"NPT Filter with manual drain	3.75 (8.27)
8FLASV172	1"NPT Filter with automatic drain	3.75 (8.27)

Installation dimensions mm (inches)

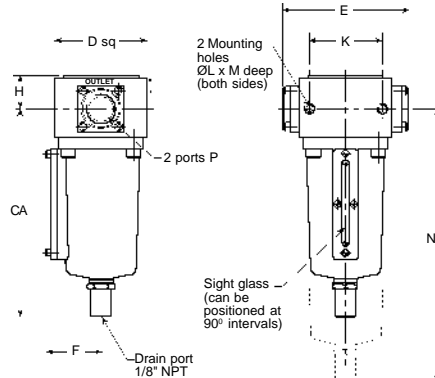
Filters with manual drain

6FLMSV202, 8FLMSV202



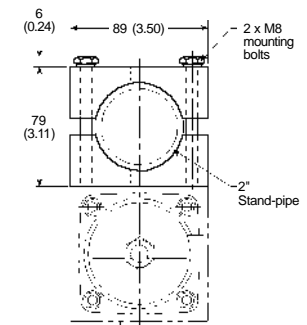
Filters with automatic drain

6FLASV172, 8FLASV172



Mounting brackets

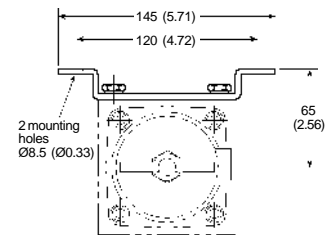
Stand-pipe mounting kit SSAF 638-28



Model No	Ports P	CA	CM	D	E	F	H	K	L	M	NA	NM
With manual drain												
6FLMSV202	3/4" NPT	-	180	87.5	120	52	30.5	70	M8	12	-	260
	3/4" NPT	-	(7.09)	(3.44)	(4.72)	(2.05)	(1.20)	(2.76)	M8	(0.47)	-	(10.24)
8FLMSV202	1" NPT	-	180	87.5	120	52	30.5	70	M8	12	-	260
	1" NPT	-	(7.09)	(3.44)	(4.72)	(2.05)	(1.20)	(2.76)	M8	(0.47)	-	(10.24)
With automatic drain												
6FLASV172	3/4" NPT	201	-	87.5	120	52	30.5	70	M8	12	281	-
	3/4" NPT	(7.91)	-	(3.44)	(4.72)	(2.05)	(1.20)	(2.76)	M8	(0.47)	(11.06)	-
8FLASV172	1" NPT	201	-	87.5	120	52	30.5	70	M8	12	281	-
	1" NPT	(7.91)	-	(3.44)	(4.72)	(2.05)	(1.20)	(2.76)	M8	(0.47)	(11.06)	-

Dimension NA or NM = clearance required below pipe centreline to enable bowl to be removed.

Mounting kit SSAF 638-26



PRESSURE REGULATORS - SELF RELIEVING PRESSURE REGULATORS - NON RELIEVING

316
STAINLESS STEEL

General description and benefits

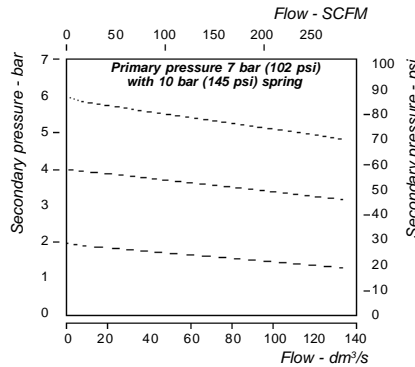
316 stainless steel pressure regulators to provide pressure regulation of compressed air in the offshore, petro-chemical and allied industries.

- Large flow.
- 5 pressure ranges.
- High relief flow.

Functional symbols, Technical data and Materials of construction

See details on page 3500.9

Flow characteristics Secondary pressure v Flow



Preferred models

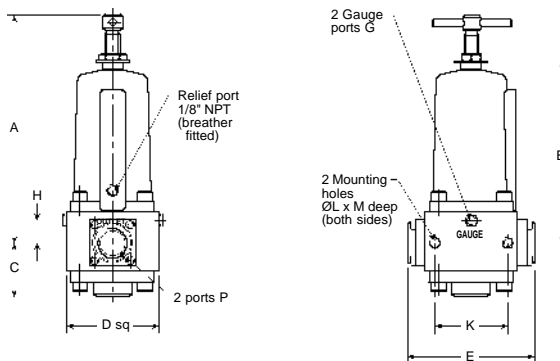
Model No	Description	Mass kg (lbs)
Self relieving		
6PRVSV**2	3/4"NPT Pressure regulator	5.00 (11.0)
8PRVSV**2	1"NPT Pressure regulator	5.00 (11.0)
Non relieving		
6PRNSV**2	3/4"NPT Pressure regulator	5.00 (11.0)
8PRNSV**2	1"NPT Pressure regulator	5.00 (11.0)

** - for regulated pressure add code:-
0.1 to 2 bar (1.45 to 29 psi) - code 02
0.2 to 4 bar (2.90 to 58 psi) - code 04
0.3 to 7 bar (4.35 to 102 psi) - code 07
0.5 to 10 bar (7.25 to 145 psi) - code 10
0.8 to 16 bar (11.60 to 232 psi) - code 16

Installation dimensions mm (inches)

Pressure regulators - self relieving and non relieving

6PRVSV**2, 8PRVSV**2, 6PRNSV**2, 8PRNSV**2

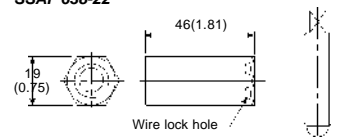


Model No	Ports P	Port G	A	B	C	D	E	H	K	L	M
6PRVSV**2	3/4" NPT	1/8" NPT	219	174	53	87.5	120	21.5	70	M8	12
	3/4" NPT	1/8" NPT	(8.62)	(6.85)	(2.09)	(3.44)	(4.72)	(0.85)	(2.76)	M8	(0.47)
8PRVSV**2	1" NPT	1/8" NPT	219	174	53	87.5	120	21.5	70	M8	12
	1" NPT	1/8" NPT	(8.62)	(6.85)	(2.09)	(3.44)	(4.72)	(0.85)	(2.76)	M8	(0.47)

Dimensions for non relieving models (6PRNSV**2 and 8PRNSV**2) are same as self relieving models above.

Tamper proof cap kit

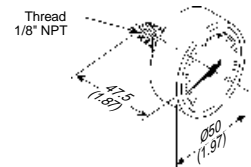
Tamper proof cap kit
SSAF 638-22



Kit comprises
1 - Pressure adjustment screw,
1 - Tamper proof cap

Pressure Gauge

50mm Pressure gauge (10 bar)
SSAF153N-10



Other ranges of pressure gauge are available - details on request

FILTER REGULATORS - SELF RELIEVING FILTER REGULATORS - NON RELIEVING

General description and benefits

316 stainless steel combined unit for filtration and pressure regulation of compressed air in the offshore, petro-chemical and allied industries.

- Large flow paths minimise pressure drop.
- 5 micron element.
- 5 pressure ranges.

Preferred models

Model No	Description	Mass kg (lbs)
Self relieving		
6FRMSV**2	3/4"NPT Filter with manual drain	5.75 (12.7)
6FRASV**2	3/4"NPT Filter with automatic drain	5.75 (12.7)
8FRMSV**2	1"NPT Filter with manual drain	5.75 (12.7)
8FRASV**2	1"NPT Filter with automatic drain	5.75 (12.7)
Non relieving		
Specify model code 'FRN' in place of 'FRM' for manual drain versions.		
Specify model code 'FRB' in place of 'FRA' for automatic drain versions.		

Functional symbols, Technical data and Materials of construction

See details on page 3500.9

Flow characteristics

For filter pressure drop characteristics see graphs on page 3500.10

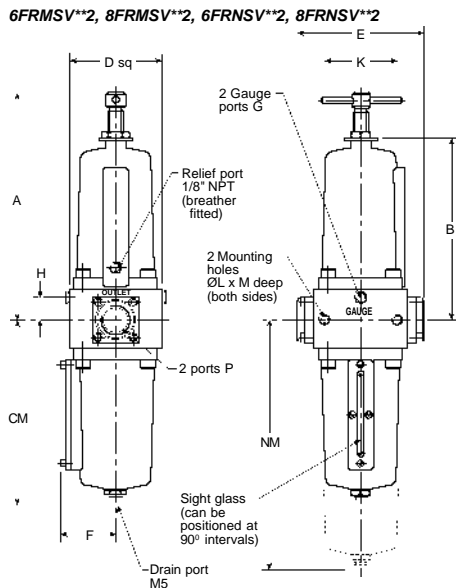
For pressure regulator characteristics see graphs on page 3500.11



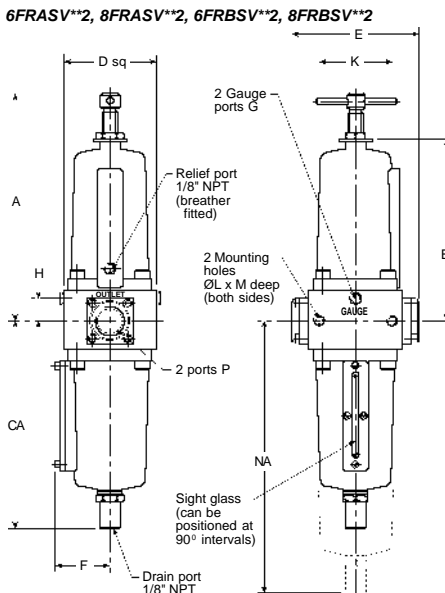
** - for regulated pressure add code:-
0.1 to 2 bar (1.45 to 29 psi) - code 02
0.2 to 4 bar (2.90 to 58 psi) - code 04
0.3 to 7 bar (4.35 to 102 psi) - code 07
0.5 to 10 bar (7.25 to 145 psi) - code 10
0.8 to 16 bar (11.60 to 232 psi) - code 16

Installation dimensions mm (inches)

Filter regulators with manual drain



Filter regulators with automatic drain



Mounting brackets

Stand-pipe mounting kit SSAF 638-28
Mounting kit SSAF 638-26

For dimensional details see page 3500.10

Tamper proof cap kit

Tamper proof cap kit SSAF 638-22

For dimensional details see page 3500.11

Pressure Gauge

50mm Pressure gauge SSAF153N/10

For dimensional details see page 3500.11

Model No	Ports P	Port G	A	B	CA†	CM	D	E	F	H	K	L	M	NA†	NM
6FRMSV**2	3/4" NPT	1/8" NPT	219	174	201	180	87.5	120	52	21.5	70	M8	12	281	260
	3/4" NPT	1/8" NPT	(8.62)	(6.85)	(7.91)	(7.09)	(3.44)	(4.72)	(2.05)	(0.85)	(2.76)	M8	(0.47)	(11.06)	(10.24)
8FRMSV**2	1" NPT	1/8" NPT	219	174	201	180	87.5	120	52	21.5	70	M8	12	281	260
	1" NPT	1/8" NPT	(8.62)	(6.85)	(7.91)	(7.09)	(3.44)	(4.72)	(2.05)	(0.85)	(2.76)	M8	(0.47)	(11.06)	(10.24)

Dimension NA or NM = clearance required below pipe centreline to enable bowl to be removed.

Dimensions for non relieving models (6FRNSV**2, 8FRNSV**2, 6FRBSV**2 and 8FRBSV**2) are same as self relieving models above.

† = Dimensions CA and NA relate to models with automatic drain (6FRASV**2, 8FRASV**2, 6FRBSV**2 and 8FRBSV**2)